

Lighting
Athena Sconce



Sconce

21D x base 13H cm

Designer: Ini Archibong
Collection IV

Lacquered metal base
available in three colours:
Light Grey, Blue Grey and
Bordeaux.

Ceramic body in a choice
of Glossy colour glazes.

Frosted glass shade.

Brass finial.

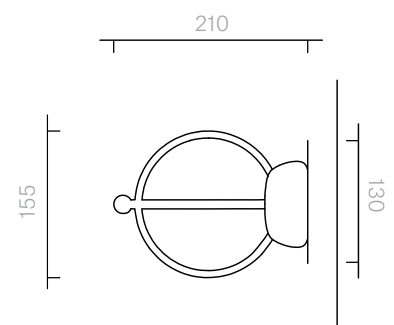
Light specifications:
LED (Max 7W),
220/240V, IP20.

Please contact us to find
out more about all the
colour options available.

Above product:
Ceramic body in Glossy
Bronze with lacquered
base in SIKKENS A62505
'Bordeaux'.

The diagrams are
shown in millimetres

www.se-collections.com



Finishes

Glossy Colour Glazes



Lead Grey



Stone Grey



Warm Grey



Cashmere



Chic Pink



Teal



Vintage Green



Tea Pink



Lilac Grey



Bordeaux Red



Ultramarine Blue



Pine Green



Coffee Brown



White



Black

Glossy Metal Glazes



Dark Platinum



Copper



Bronze



Gold



Silver Platinum

Disclaimer:

For technical reasons connected with colour reproduction and media limitations the colours shown may not be an exact representation of the actual product. Please contact us for colour samples.

www.se-collections.com

Finishes

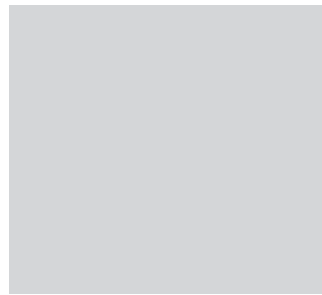
Sé Athena Lacquers



Blue Grey



Sé Chic Red



Light Grey

Disclaimer:

For technical reasons connected with colour reproduction and media limitations the colours shown may not be an exact representation of the actual product. Please contact us for further information.